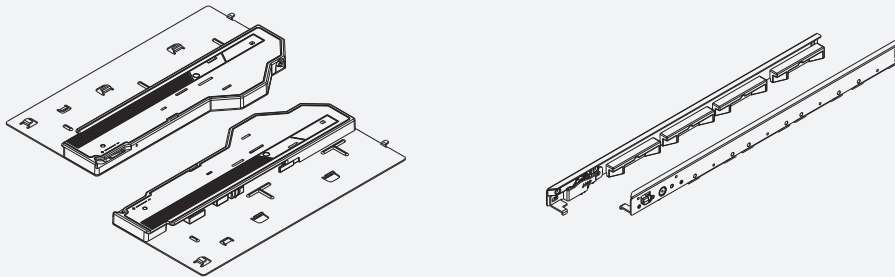


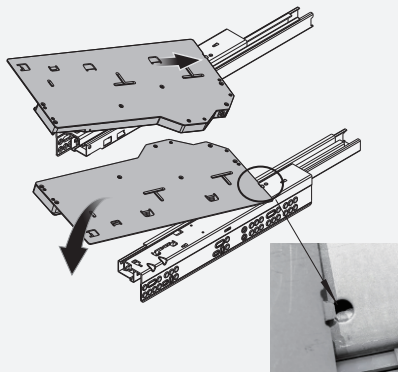
R drawer slide

Push-open mechanism - Soft-close & push open motion

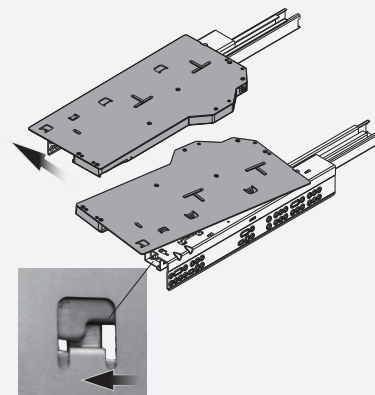
Accessories



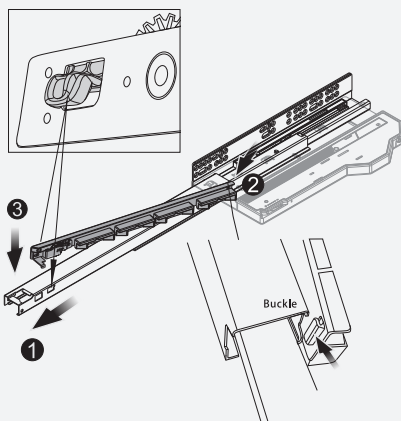
Assembling



1. Put the push-open mechanism head hook insert to the hole in the bottom slide



2. Side move mechanism and click it with slide.



3. Rail assembling
 a. Fully open slide
 b. Hooking the end of slide - top part.
 c. Click plastic hook with side of slide-top part.