

Corner swing-out - Right open

Notes
 1. The standard dimensions for the cabinet are: width:900/1000mm, depth: Min. 540mm, height:650-750mm,panel board:16/18mm, cabinet door:450/500mm;
 2. Weight capacity: Max. 20kg for each pantray;

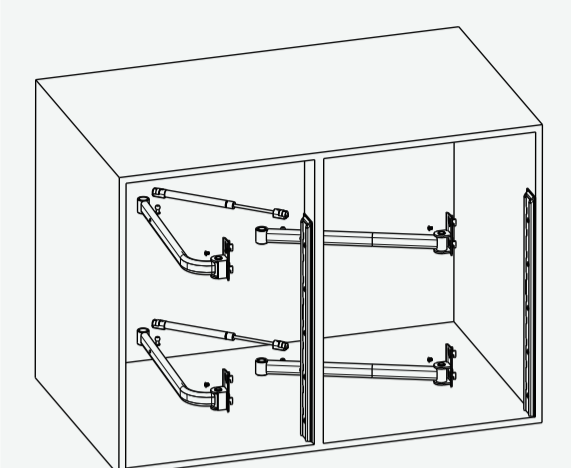
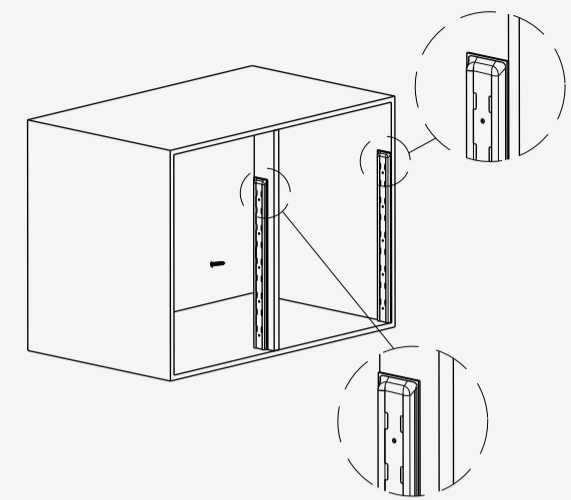
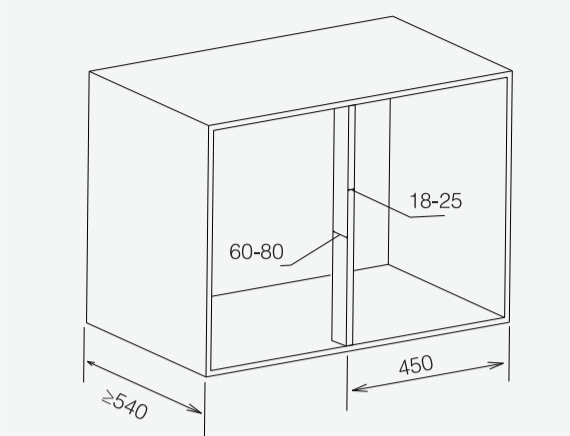
1. Please refer the size of cabinet according to the photo

2. Fixing the D by screws G

3. Installing A and B, to ensure the swing arm level. And E is fixed.

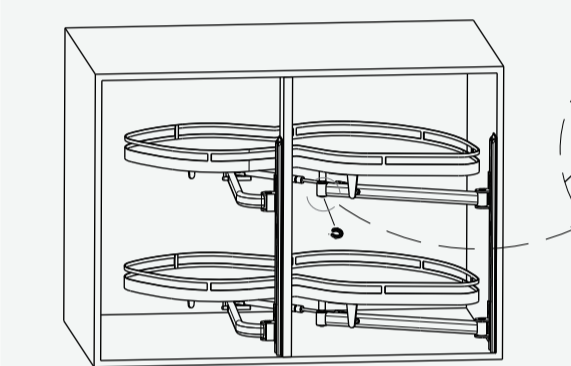
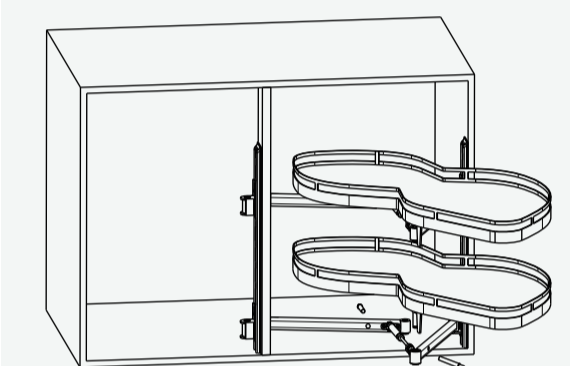
Accessory list

	No.	Qty.
	A	2 pcs
	B	2 pcs
	C	2 pcs
	D	2 pcs
	E	2 pcs
	F	4 pcs
	G	10 pcs
	H	4 pcs
	J	4 pcs



4. Pull-out swing arm and install C on the arms. Then install F and notice the direction of F

5. Installing H and finish.



Corner swing-out - Left open

Notes
 1. The standard dimensions for the width:900/1000mm, depth: Min. 540mm, height:650-750mm,panel board:16 cabinet door:450/500mm;
 2. Weight capacity: Max. 20kg for ea

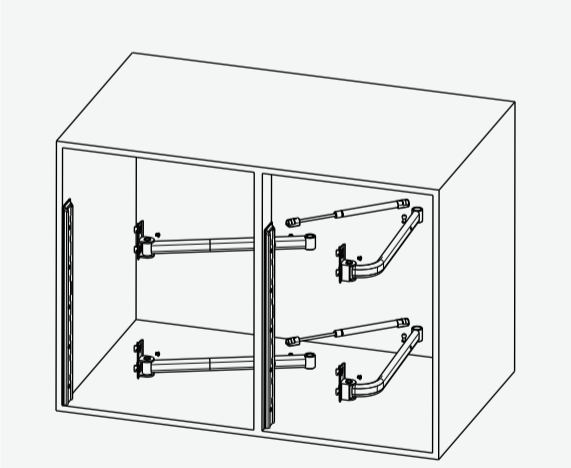
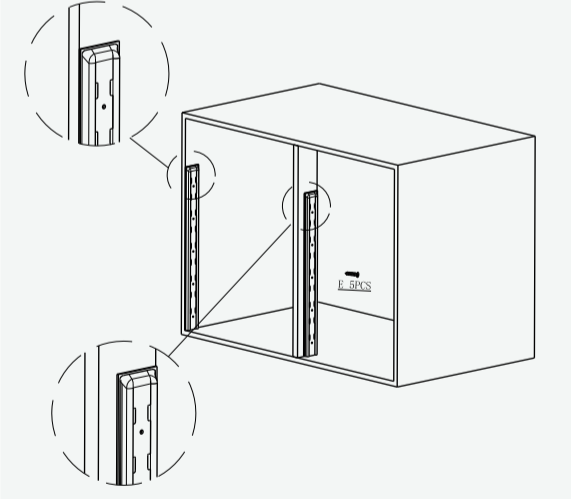
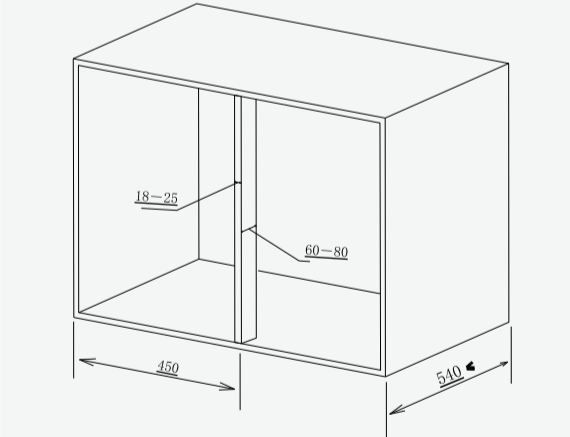
1. Please refer the size of cabinet according to the photo

2. Fixing the D by screws G

3. Installing A and B, to ensure the swing arm level. And E is fixed.

Accessory list

	No.	Qty.
	A	2 pcs
	B	2 pcs
	C	2 pcs
	D	2 pcs
	E	2 pcs
	F	4 pcs
	G	10 pcs
	H	4 pcs
	J	4 pcs



4. Pull-out swing arm and install C on the arms. Then install F and notice the direction of F

5. Installing H and finish.

